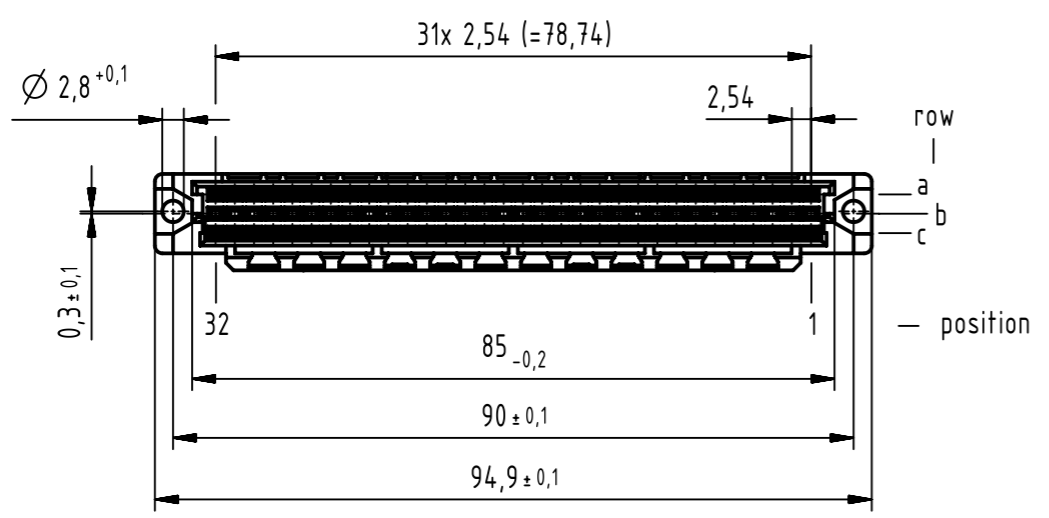
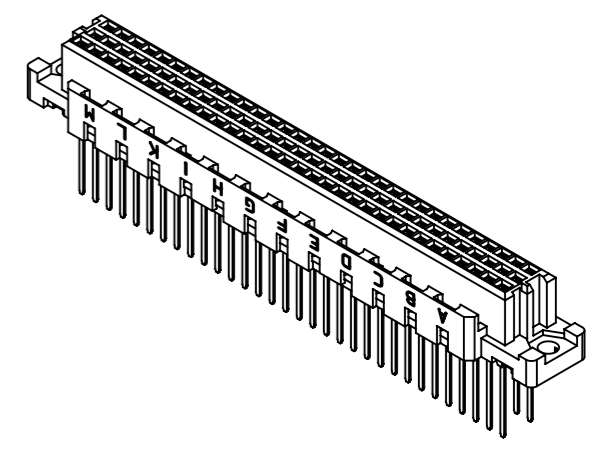
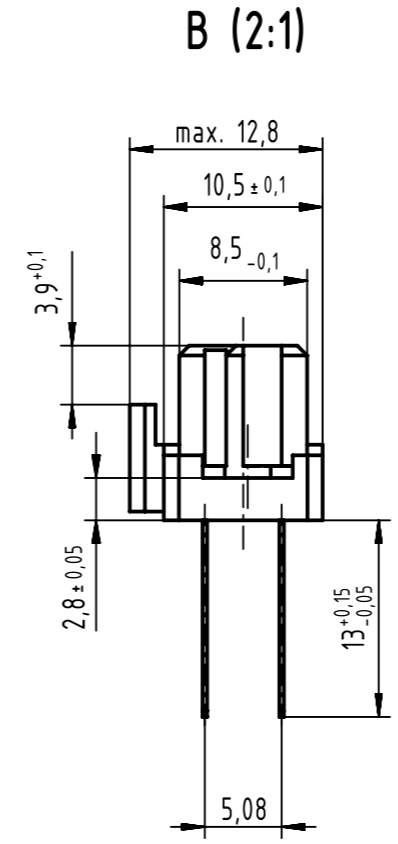
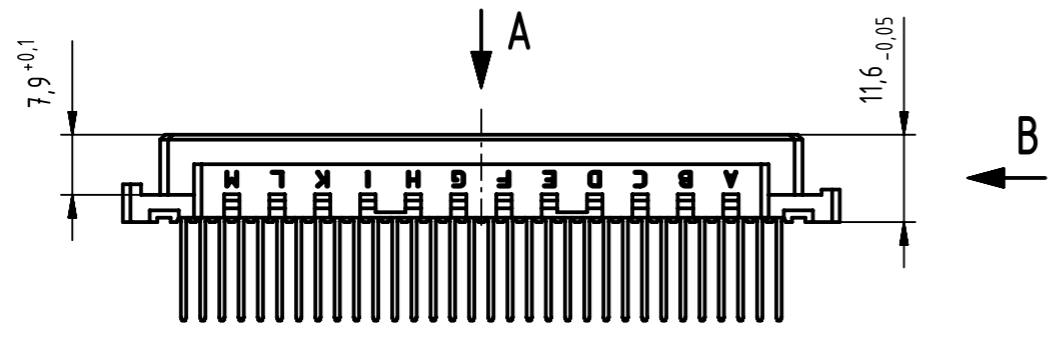


64 solder contacts
 ☒ = position with contact
 □ = position without contact



① further information see: DS 09032100001

09 03 764 6421	2
part-no	performance level ①

All rights reserved Department EC PD - DE HARTING Electronics GmbH D-32339 Espelkamp	All Dimensions in mm Original Size DIN A3	Scale 1:1 Free size tol. IEC 60603-2	Ref. Sub. TB 0903764X421 / Mod.34650 / 31.08.07	Created by ZWAHR	Inspected by LEHNERT	Standardisation HOFFMANN	Date 2014-12-11	State Final Release
	Title DIN Signal type C female solder 13.0 with coding							Doc-Key / ECM-Nr. 100173852/UGD/266/E 50000082368
		Type TB	Number 0903764X421		Rev. E	Page 1/1		